

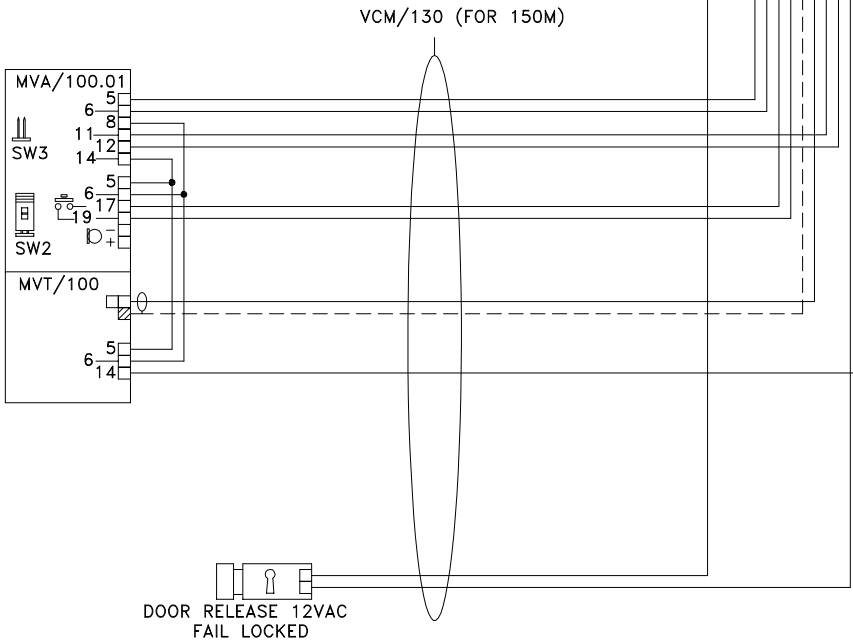
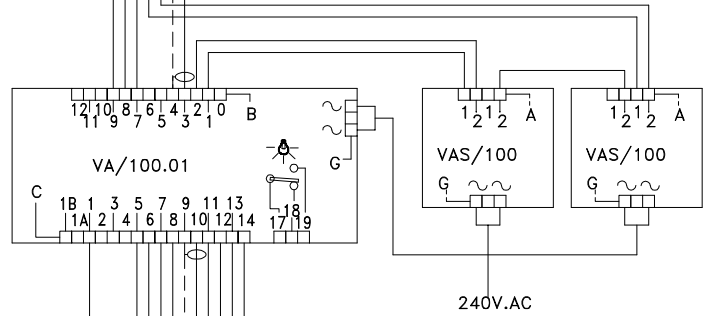
NOTE:
ENSURE DIP SWITCH 3 'ON'
ON THIS MONITOR ONLY.

NOTE; CABLE EQUIVALENTS

VCM/130 = RG59 COAX + 4 CORES @ 1.0MMSQ + 8 CORES @ 0.5MMSQ
 VCM/60 = RG59 COAX + 2 CORES @ 1.0MMSQ + 3 CORES @ 0.5MMSQ

NOTE:
THIS DRAWING INDICATES AND ASSUMES THE USE OF
BPT COMPOSITE CABLES OR A SUITABLE EQUIVALENT.

ENSURE ALL ADDITIONAL CONNECTIONS ARE
A MINIMUM OF 0.5MM CSA PER CORE.



BPT (UK) LTD. HERTS. ENGLAND	PREPARED FOR INSTALLER INFORMATION	DATE: 16/04/04	DRAWN: RC
		REVISED:	
DRAWING TITLE:	1 X 1 BUTTON MODULAR VIDEO ENTRY PANEL & 2 X VM/100 MONITORS	DRAWING No: A-1M1V2L	